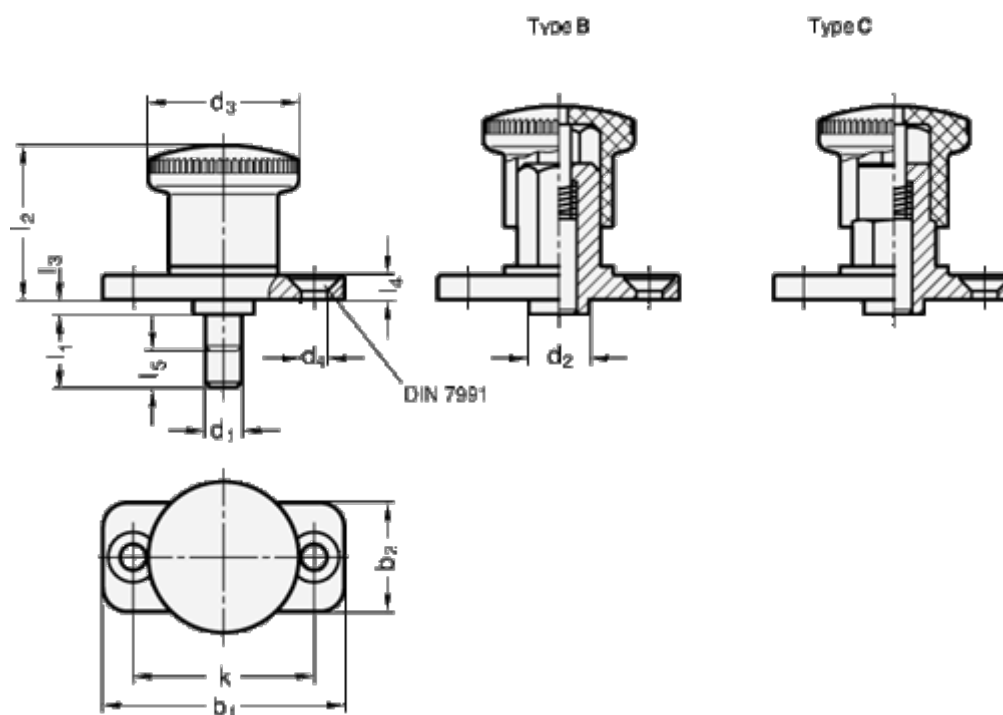


Article number: 2082281010B

Description: E+G Mini indexing plunger
without rest position, GN 822.6-10-10-B

Measures



$b_1 = 50$	$l_2 = 35$
$b_2 = 23$	$l_3 = 2.5$
$d_1 = 10$	$l_4 = 5$
$d_2 = 14$	$l_5 = 11$
$d_3 = 33$	Spring load initial N = 11
$d_4 = 5.3$	
$k = 38$	
$l_1 = 40.5$	